



Manufacturer :-
BARTON FIRTOP ENGINEERING Co.,Ltd.
 Stoke Heath Works, Hanbury Road,
 Bromsgrove, Worcestershire. B60 4LT
 ENGLAND
 Telephone :- (44) 01527 831644 / 575211
 Fax :- (44) 01527 832638

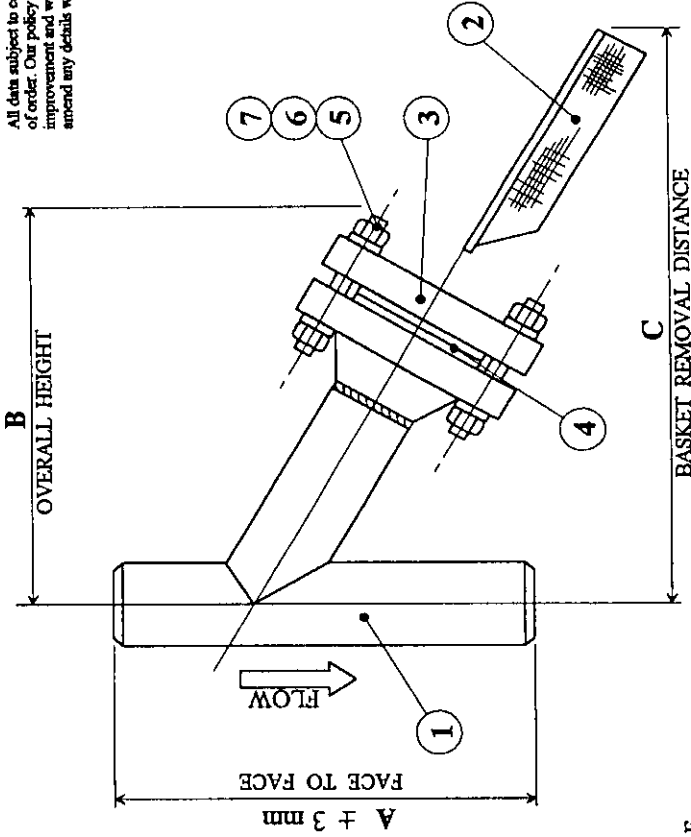
Document Number
SDD/YFAB/BW150/STL

FIRTOP FILTERS

150LB RATING - BUTT WELD - FABRICATED Y-TYPE STRAINER

- FLANGES IN ACCORDANCE WITH ANSI B16.5 - Other specifications available upon request.

All data subject to confirmation at time of order. Our policy is one of continuous improvement and we reserve the right to amend any details without prior notice.



OPTIONAL EXTRAS

- Special Gasket
- Drain Connection.
- Drain Valves.
- Special Finishes / Linings.
- Certification To 3.1B / 3.1C / N.A.C.E.

SPECIFICATIONS

MODEL / ASSEMBLY NUMBER	SIZE	DIMENSIONS			SCREEN MESH	WEIGHT KG
		A	B	C		
Carbon Steel	Stainless steel					
A050-R15-105-FYBW	A050-R15-182-FYBW	290	250	390	STD (3.91mm)	8.0
A080-R15-105-FYBW	A080-R15-182-FYBW	380	315	490	STD (5.49mm)	16.0
A100-R15-105-FYBW	A100-R15-182-FYBW	420	350	570	STD (6.02mm)	22.0
A150-R15-105-FYBW	A150-R15-182-FYBW	520	471	770	STD (7.11mm)	39.0
A200-R15-105-FYBW	A200-R15-182-FYBW	610	560	970	STD (8.18mm)	68.0
A250-R15-105-FYBW	A250-R15-182-FYBW	740	665	1170	STD (9.27mm)	106.0
A300-R15-105-FYBW	A300-R15-182-FYBW	820	774	1370	SID (9.53 mm)	153.0
A350-R15-105-FYBW	A350-R15-182-FYBW	880	835	1470	SID (9.53 mm)	207.0
A400-R15-105-FYBW	A400-R15-182-FYBW	980	940	1660	SID (9.53 mm)	266.0

3mm RETENTION
 OR TO CUSTOMER REQUIREMENTS

MATERIALS OF CONSTRUCTION

ITEM No	DESCRIPTION	CARBON STEEL	STAINLESS STEEL
01	BODY	ASTM A105N	ASTM A182 F316
	FLANGE		
02	SCREEN	ASTM A106B	ASTM A312 F316
	TUBE		
03	STRAINER COVER	AISI 316	AISI 316
	GASKET	ASTM A105N	ASTM A182 F316
04	STUDBOLTS	COMPRESSED NON-ASBESTOS	COMPRESSED NON-ASBESTOS
	RETAINING NUTS	ASTM A193 B7 (Cad Plated)	ASTM A193 B7 (Cad Plated)
05	PLAIN WASHERS	ASTM A194 2H (Cad Plated)	ASTM A194 2H (Cad Plated)
		STEEL (Cad plated)	STEEL (Cad Plated)