



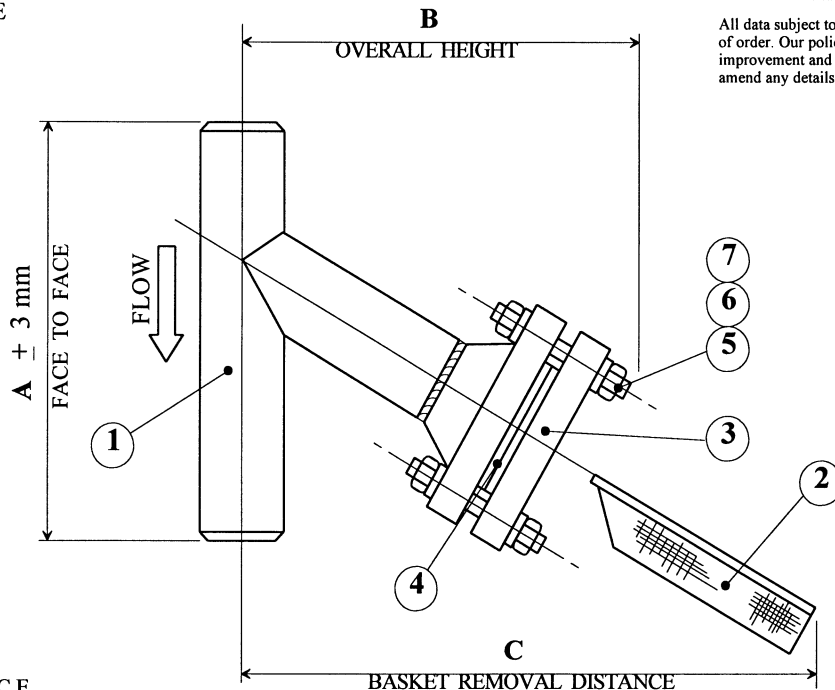
Manufacturer :-
BARTON FIRTOP ENGINEERING Co.,Ltd.
 Stoke Heath Works, Hanbury Road.
 Bromsgrove, Worcestershire. B60 4LT
 ENGLAND
 Telephone :- (44) 01527 831644 / 575211
 Fax :- (44) 01527 832638

Document Number :
SDD/YFAB/BW300/STL

FIRTOP FILTERS

300LB RATING - BUTT WELD - FABRICATED Y-TYPE STRAINER

- FLANGES IN ACCORDANCE WITH ANSI B16.5 - Other specifications available upon request.



All data subject to confirmation at time of order. Our policy is one of continuous improvement and we reserve the right to amend any details without prior notice.

OPTIONAL EXTRAS

- Special Gasket
- Drain Connection.
- Drain Valves.
- Special Finishes / Linings.
- Certification To 3.1B / 3.1C / N.A.C.E.

SPECIFICATIONS

MODEL / ASSEMBLY NUMBER		SIZE	DIMENSIONS				SCREEN	WEIGHT
Carbon Steel	Stainless steel	NB	A	B	C	Schedule	MESH	KG
A050-R30-105-FYBW	A050-R30-182-FYBW	50 mm (2")	290	250	390	STD (3.91mm)	3mm RETENTION OR TO CUSTOMER REQUIREMENTS	10.0
A080-R30-105-FYBW	A080-R30-182-FYBW	80 mm (3")	380	315	490	STD (5.49mm)		19.0
A100-R30-105-FYBW	A100-R30-182-FYBW	100 mm (4")	420	350	570	STD (6.02mm)		31.0
A150-R30-105-FYBW	A150-R30-182-FYBW	150 mm (6")	520	471	770	STD (7.11mm)		58.0
A200-R30-105-FYBW	A200-R30-182-FYBW	200 mm (8")	610	560	970	STD (8.18mm)		96.0
A250-R30-105-FYBW	A250-R30-182-FYBW	250 mm (10")	740	665	1170	STD (9.27mm)		151.0
A300-R30-105-FYBW	A300-R30-182-FYBW	300 mm (12")	820	774	1370	STD (9.53 mm)		213.0
A350-R30-105-FYBW	A350-R30-182-FYBW	350 mm (14")	880	835	1470	STD (9.53 mm)		294.0
A400-R30-105-FYBW	A400-R30-182-FYBW	400 mm (16")	980	940	1660	STD (9.53 mm)		383.0

MATERIALS OF CONSTRUCTION

ITEM No	DESCRIPTION	CARBON STEEL	STAINLESS STEEL
01	BODY	FLANGE	ASTM A105N
		TUBE	ASTM A106B
02	SCREEN	AISI 316	AISI 316
03	STRAINER COVER	ASTM A105N	ASTM A182 F316
04	GASKET	COMPRESSED NON-ASBESTOS	COMPRESSED NON-ASBESTOS
05	STUDBOLTS	ASTM A193 B7 (Cad Plated)	ASTM A193 B7 (Cad Plated)
06	RETAINING NUTS	ASTM A194 2H (Cad Plated)	ASTM A194 2H (Cad Plated)
07	PLAIN WASHERS	STEEL (Cad plated)	STEEL (Cad Plated)