



Manufacturer: -  
**BARTON FIRTOP ENGINEERING COMPANY LIMITED**  
 Stoke Heath Works, Hanbury Road.  
 Bromsgrove. Worcestershire. B60 4LT.  
 ENGLAND  
 Telephone: (44) 01527 831644 or 575211  
 Fax: (44) 01527 832638  
 E-mail: sales@bartonfirtop.co.uk

Data Sheet Number:  
**SDD/FIR/R150/STL**  
 Revision: 02

## R/F - 150LB RATING DUPLEX 'FIRPLEX' STRAINER

**Sizes:** ½" to 4" Nominal Bore

**Pressure:** ANSI Class 150LB

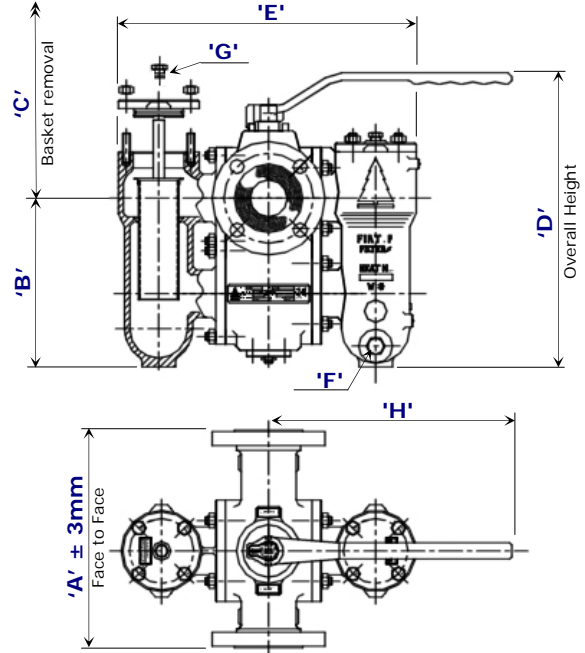
**Features:**

- Simple change-over operation.
- Linked Ball Valve mechanism for Minimal bypass / leakage.
- Red oxide Finish (Carbon Steel).
- 40 Mesh Baskets as Standard.

**Options:**

- Special Baskets,
- D.P. Tappings/Gauge,
- Magnetic Basket Inserts,
- Flanged Drains / Vents,
- Special Finish,
- Other materials / ratings available.

**Standards:** PED 97/23/EC.  
 ANSI B16.5 Flange Dimensions.  
 EN 10204 / NACE Certification.



All data is subject to confirmation at the time of order.  
 Our policy is one of continual improvement and we reserve the right to amend details without prior notice.

Size		Dimensions (mm)								Basket Area (cm <sup>2</sup> )	Weight (KG)
		'A' Face to Face	'B' Base to C/line	'C' Basket Removal	'D' Overall Height	'E' Overall Width	'F' Drain (NPT)	'G' Vent (NPT)	'H' Handle Width		
Inch	mm										
½"	15	190.0	142.0	150.0	272.0	272.0	¼"	¼"	280.0	117.8	18.0
¾"	20	190.0	142.0	150.0	272.0	272.0	¼"	¼"	280.0	117.8	18.0
1"	25	200.0	142.0	150.0	272.0	272.0	¼"	¼"	280.0	117.8	20.0
1½"	40	260.0	182.0	195.0	355.0	360.0	3/8"	¼"	300.0	174.2	37.0
2"	50	295.0	227.0	260.0	395.0	398.0	½"	¼"	330.0	269.7	57.0
3"	80	415.0	315.0	360.0	530.0	540.0	¾"	3/8"	450.0	559.8	132.0
4"	100	520.0	417.0	460.0	670.0	713.0	¾"	½"	560.0	974.5	T.B.A.

Item	Materials of Construction	
	Carbon Steel	Stainless Steel
Valve Body	ASTM A216 WCB	ASTM A351 CF8M
Basket Chambers	ASTM A216 WCB	ASTM A351 CF8M
Chamber Covers	ASTM A216 WCB	ASTM A351 CF8M
Change-over Handle	ASTM A216 WCB	ASTM A351 CF8M
Drain / Vent plugs	ASTM A105N	ASTM A182 F316
Studbolts	ASTM A193 B7M - Zinc Plated	
Full Nuts	ASTM A194 2HM - Zinc Plated	
Diverter Balls	Stainless Steel 316	
Ball Seats	P.T.F.E.	
Internal Shafts	Stainless Steel 316	
'O'-Rings	Viton	
Baskets (Perforated)	Stainless Steel 316 (Lined with 40 Mesh* as Standard)	

\* Baskets can be lined with various meshes to suit customer requirements.

### Model Number Derivation: -

The model number can be derived as follows: - **A\*\*\*/R15/\*\*\*/FLD**

Denotes the size i.e. add '025' for a 1" \_\_\_\_\_

'216' denotes Carbon Steel  
 '351' denotes Stainless Steel

For more information, visit our Web Site: [www.bartonfirtop.co.uk](http://www.bartonfirtop.co.uk)