



Manufacturer: -
BARTON FIRTOP ENGINEERING COMPANY LIMITED
 Stoke Heath Works, Hanbury Road.
 Bromsgrove. Worcestershire. B60 4LT.
 ENGLAND
 Telephone: (44) 01527 831644 or 575211
 Fax: (44) 01527 832638
 E-mail: sales@bartonfirtop.co.uk

Data Sheet Number:
SDD/MQR/RJ600/STL
 Revision: **04**

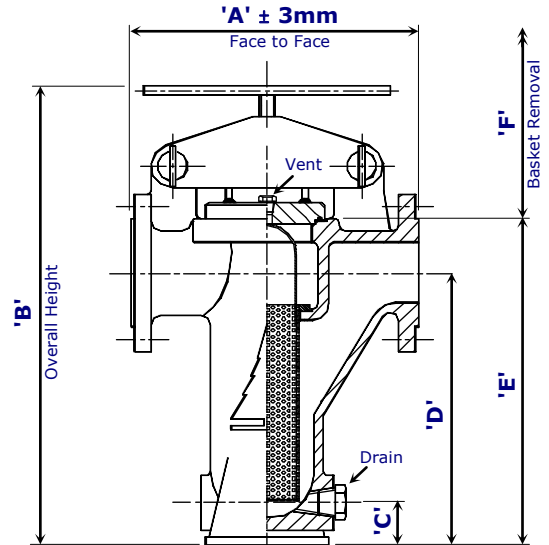
RTJ - 600LB RATING QUICK-RELEASE MONO-IN-LINE STRAINER

Sizes: 1" to 6" Nominal Bore

Pressure: ANSI Class 600LB (Full Rating)

- Features:**
- Integrally Cast Housing.
 - Quick-Release Closure.
 - Safety Interlock Closure.
 - Red oxide Finish as standard.
 - 40 Mesh Screen as Standard.
 - Integral feet on 6"NB.

- Options:**
- Special Gasket, Special Basket,
 - D.P. Tappings/Gauge,
 - Magnetic Basket Insert,
 - Flanged Drains / Drain Valves,
 - Special Finish / Linings.
 - Screwed & Plugged NPT Vent.
 - Bolted Closure.



All data is subject to confirmation at the time of order. Our policy is one of continual improvement and we reserve the right to amend details without prior notice.

Standards: PED 97/23/EC.
 ANSI B16.5 Flange Dimensions.
 EN 10204 / NACE Certification.

Size		Dimensions						Basket Area (cm ²)	Vent		Drain (NPT)	Weight Estimate (KG)
		'A' Face to Face	'B' Overall Height	'C' Base to Drain	'D' Base to Centreline	'E' Base to Cover	'F' Basket Removal		NPT (Non Std)	BSPP (Safety Closure)		
Inch	mm											
1"	25	265.0	365.0	30.0	192.0	242.0	225.0	233.0	¼"	1/8"	½"	22.0
1½"	40	305.0	445.0	30.0	255.0	316.0	290.0	368.0	¼"	1/8"	½"	32.0
2"	50	373.0	515.0	48.0	320.0	386.0	360.0	478.0	¼"	1/8"	½"	44.0
3"	80	443.0	610.0	66.0	357.0	442.0	390.0	641.0	¼"	1/8"	½"	74.0
4"	100	543.0	740.0	66.0	442.0	542.0	470.0	1061.0	3/8"	¼"	½"	138.0
6"	150	803.0	1065.0	85.0	650.0	796.0	650.0	2120.0	½"	½"	1"	338.0

Item	Materials of Construction	
	L.T.C.S.	Stainless Steel
Strainer Body (Cast)	ASTM A352 LCB/LCC*	ASTM A351 CF8M
Strainer Cover	ASTM A352 LCB/LCC*	ASTM A351 CF8M
Strainer Basket	ST.ST. 316 (40 Mesh as Standard / to Customer Specification)	
Cover Gasket (O-Ring)	Nitrile as standard / to Customer Specifications	
Vent Plug	ASTM A350 LF2	ASTM A182 F316
Drain Plug	ASTM A350 LF2	ASTM A182 F316
Strongback	ASTM A352 LCB/LCC*	ASTM A351 CF8M
Screw Handle	ASTM A193 B7M - Zinc Plated / ST.ST. 316 Handle	
Quick Release Pin	ASTM A193 B7 - Zinc Plated	
Linch pin	Carbon Steel - Zinc Plated	

* Dual certified material as per ASME VIII - Division 1, UG23(a).

Model Number Derivation: -

The model number can be derived as follows: - **A*** / RJ60 / *** / MQR**

Denotes the size i.e. add '025' for a 1" '352' denotes L.T.C.S.
 '351' denotes Stainless Steel

For more information, visit our Web Site: www.bartonfirtop.co.uk