



Manufacturer: -
BARTON FIRTOP ENGINEERING COMPANY LIMITED
 Stoke Heath Works, Hanbury Road.
 Bromsgrove. Worcestershire. B60 4LT.
 ENGLAND
 Telephone: (44) 01527 831644 or 575211
 Fax: (44) 01527 832638
 E-mail: sales@bartonfirtop.co.uk

Data Sheet Number:
SDD/BBC/R600/STL
 Revision: **05**

R/F - 600LB RATING BOLTED COVER MONO BASKET FILTER

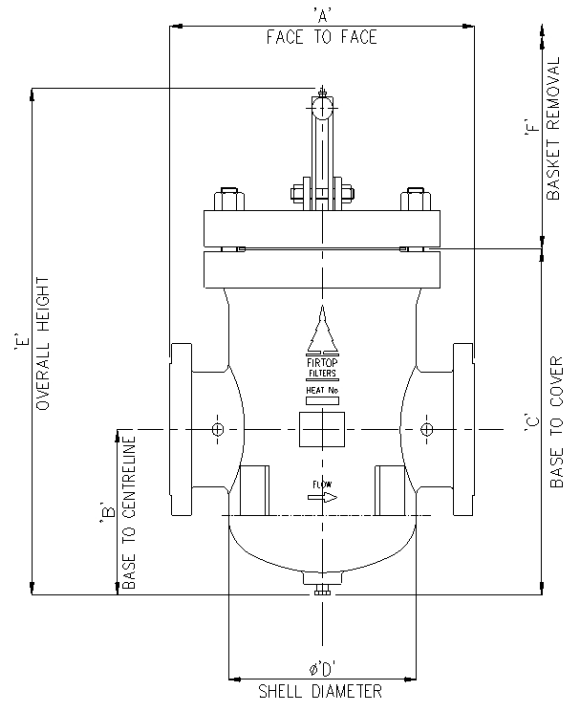
Sizes: 8" to 16" Nominal Bore

Pressure: ANSI Class 600LB (Full Rating)

- Features:**
- Integrally Cast Housing.
 - Bolted Closure.
 - Red oxide Finish as standard.
 - 40 Mesh Screen as Standard.
 - Cover Davit

- Options:**
- Special Gasket, Special Basket,
 - D.P. Tappings/Gauge,
 - Flanged Drains / Vents,
 - Special Finish / Linings.
 - Safety Closure.
 - Bolt-on Leg Assembly
 - Impact Testing for low temp service

Standards: PED 97/23/EC.
 ANSI B16.5 Flange Dimensions.
 EN 10204 3.1 Certification



All data is subject to confirmation at the time of order. Our policy is one of continual improvement and we reserve the right to amend details without prior notice.

Size		Dimensions						Basket Area (cm ²)	Vent (NPT or BSPP)	Drain (NPT)	Weight Estimate (KG)
		'A' Face to Face	'B' Base to Centreline	'C' Base to Cover	'D' Shell Diameter	'E' Overall Height	'F' Basket Removal				
Inch	mm										
8"	200	700.0	355.0	730.0	436.0	1105.0	580.0	3031.0	½"	1"	600.0
10"	250	900.0	435.0	905.0	544.0	1360.0	750.0	4799.0	½"	1"	1250.0
12"	300	1040.0	510.0	1070.0	646.0	1600.0	880.0	6810.0	½"	1"	1685.0
16"	400	1300.0	640.0	1340.0	812.0	1935.0	1100.0	10815.0	½"	1"	3222.0

Item	Materials of Construction	
	Carbon Steel (-20°C)	Stainless Steel
Strainer Body (Cast)	ASTM A216 WCB	ASTM A351 CF8M
Strainer Cover	ASTM A216 WCB	ASTM A351 CF8M
Strainer Basket	ST.ST. 316 (40 Mesh as Standard / to Customer Specification)	
Cover Gasket (S/W)	ST.ST.316L / GRAPHITE	
Vent Plug	ASTM A350 LF2	ASTM A182 F316
Drain Plug	ASTM A350 LF2	ASTM A182 F316
Studbolts / Full Nuts	ASTM A193 B7 / ASTM A194 2H	
Davit Arm	ASTM A106B - ZINC PLATED	
Davit Plates	ASTM A516 GR60 - ZINC PLATED	
Nameplate / CE plate	ST.ST.316	

Model Number Derivation: -

The model number can be derived as follows: - **A***/R60/***/BBC**

Denotes the size i.e. add '400' for a 16" _____

'216' denotes Carbon Steel
 '351' denotes Stainless Steel

For more information, visit our Web Site: www.bartonfirtop.co.uk