

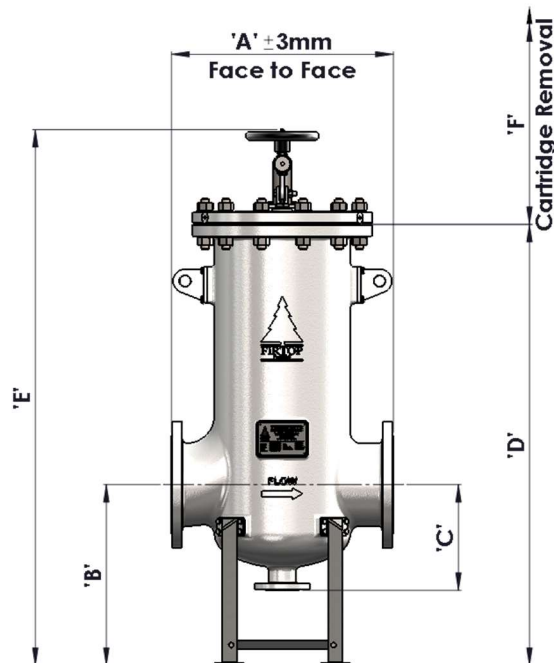


Manufacturer: -  
**BARTON FIRTOP ENGINEERING COMPANY LIMITED**  
 Silverwoods Way,  
 Kidderminster. Worcestershire. DY11 7DT.  
 UNITED KINGDOM  
 Telephone: (44) 01527 831644  
 Fax: (44) 01527 832638  
 E-mail: sales@bartonfirtop.co.uk

Data Sheet Number:  
**SDD/CCF/R15/STL**  
 Revision: **08**

## CLASS 150LB RATING R/F CAST CARTRIDGE FILTER

- Sizes:** 2" to 16" Nominal Bore
- Pressure:** ASME Class 150LB (others available on request)
- Features:**
- Integrally Cast Housing
  - Bolted Cover c/w Vent Flange
  - Red Oxide Finish as Standard (C/S)
  - Davit c/w Handwheel (Covers >20kg)
  - Lightweight Design with Low DP
  - Pleated Cartridge as Standard
  - Bolt-On Assembly Lifting Lugs & Legs
  - Flanged Drain as Standard
- Options:**
- Alternative Housing Materials\*\*\*
  - Special Gasket, Special Cartridge
  - D.P. Tappings / Gauge
  - Cover Eyebolts (no Davit)
  - Legs: Longer/Shorter/Removed
  - Drain with Blind Flange / Plugged
  - Special Finish / Linings
  - Closure Vent Tappings / Plugged
- Standards:** PED 2014/68/EU  
 ASME B16.5/16.47 Flange Dimensions  
 EN 10204 / NACE Certification  
 ASME VIII, Div.1



All data is subject to confirmation at the time of order. Our policy is one of continual improvement and we reserve the right to amend details without prior notice.

Size (NB)		Dimensions (mm)						Filter Area (cm <sup>2</sup> )	Vent (Flanged)	Drain (Flanged)	Weight (kg) [C/S]
		'A' Face to Face	'B' Base to C/L	'C' C/L to Drain	'D' Base to R/F	'E' Overall Height	'F' Cartridge Removal				
Inch	mm										
2"	50	395	410	175	795	885	280	3 925	3/4"	1"	70
3"	80	395	410	175	795	885	280	3 925	3/4"	1"	75
4"	100	330	410	175	795	885	280	3 925	3/4"	1"	80
6"	150	460	385	230	935	1195	405	9 165	3/4"	1"	180
8"	200	600	515	290	1230	1495	530	16 780	1"	2"	300
10"	250	735	600	365	1495	1850	655	29 470	1"	2"	540
12"	300	870	700	435	1775	2135	785	52 450	1 1/2"	2"	870
16"	400	1100	900	560	2335	2780	1035	110 330	1 1/2"	2"	1800

Materials of Construction			
Item	Carbon Steel	Low Temp. Carbon Steel	Stainless Steel
Cast: Body, Cover, Lugs & Brackets	ASME SA216 WCB	ASME SA352 LCB/LCC (dual cert.)	ASME SA351 CF8M
Vent Plug (Forged)	ASME SA105N - Zinc Plated	ASME SA350 LF2 - Zinc Plated	ASME SA182 F316
Cover Studbolts / Heavy Hex Nuts	ASME SA193 B7M / SA194 2HM - Zinc Plated	ASME SA320 L7M / SA194 7M - Zinc Plated	ASME SA193 B8M Cl2 / SA194 8M
Cover Plain Washers	Carbon Steel - Zinc Plated		Stainless Steel
Cover Gasket (Flat)	C.N.A.F. as Standard / to Customer Specification		
Davit & Leg Assembly	Structural Carbon Steel - Zinc Plated		
Davit Handwheel	PF Duroplast with Painted Carbon Steel Hub		
Cartridge Element	Stainless Steel 316 * - Pleated Polyester Media as Standard **		

\* Carbon Steel (Gold Passivated) option available (see chemical compatibility chart for more information)

\*\* Standard Cartridges are available in 2µm, 5µm, 10µm & 25µm retentions. Other media options available - see Cartridge datasheet.

\*\*\*Alternative Materials can be supplied upon request, for example Duplex SS, Super Duplex SS, Alloy 625 etc.

**Model Number Derivation: -**

The model number can be derived as follows: - **A\*\*\*/R15/\*\*\*/CCF**

Denotes the size i.e. add '050' for a 2"      \_\_\_\_\_      \_\_\_\_\_      \_\_\_\_\_

'216' denotes Carbon Steel  
 '352' denotes L.T. Carbon Steel  
 '351' denotes Stainless Steel

*For more information, visit our Web Site: [www.bartonfirtop.co.uk](http://www.bartonfirtop.co.uk)*