



Manufacturer: -
BARTON FIRTOP ENGINEERING COMPANY LIMITED
 Silverwoods Way,
 Kidderminster, Worcestershire. DY11 7DT,
 UNITED KINGDOM
 Telephone: (44) 01527 831644
 Fax: (44) 01527 832638
 E-mail: sales@bartonfirtop.co.uk

Data Sheet Number:
SDD/FIR/PN16/STL
 Revision: **08**

R/F – PN16 RATING DUPLEX 'FIRPLEX' STRAINER

Sizes: ½" to 6" Nominal Bore

Pressure: PN16

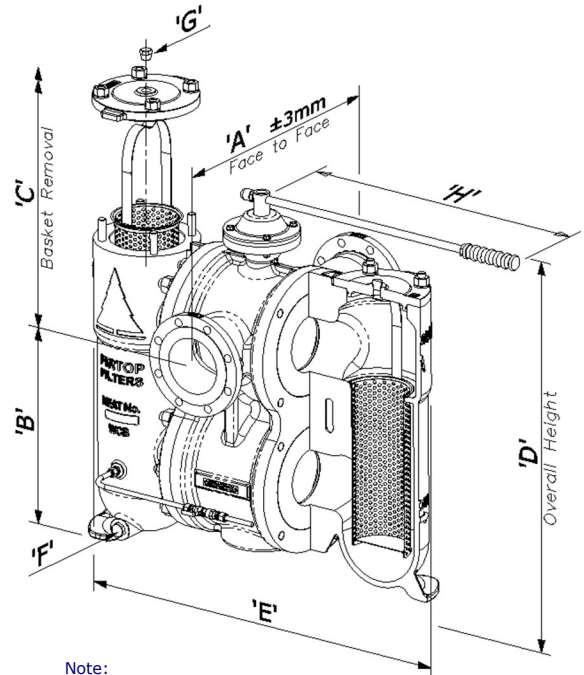
Features:

- Simple Change-over Operation.
- Linked Ball Valve Mechanism.
- Online Chamber Indicator.
- Red oxide Finish (Carbon Steel).
- 3mm Perf. Baskets as Standard.

Options:

- Special Baskets.
- D.P. Tappings/Gauge.
- Magnetic Basket Inserts.
- Flanged Drains / Vents.
- Special Finish.
- Other Materials / Ratings available.
- Gearbox & Handwheel (6"NB only).

Standards: PED 2014/68/EU (1½" to 6"NB only).
 BS EN 1092-1 Flange Dimensions.
 EN 10204 / NACE Certification.
 Generally i.a.w. ASME VIII, Div. 1



Note:

- 6"NB unit shown (feet & top flange on this size only).
- Equalisation valve on 3"NB unit & above.
- Cast handle on 4"NB unit & below.

| Size | | Dimensions (mm) | | | | | | | | Basket Area (cm ²) | Weight (C/S - kg) |
|------|-----|------------------|--------------------|--------------------|--------------------|-------------------|-----------------|----------------|------------------|--------------------------------|-------------------|
| | | 'A' Face to Face | 'B' Base to C/line | 'C' Basket Removal | 'D' Overall Height | 'E' Overall Width | 'F' Drain (NPT) | 'G' Vent (NPT) | 'H' Handle Width | | |
| Inch | mm | | | | | | | | | | |
| ½" | 15 | 190.0 | 142.0 | 150.0 | 272.0 | 272.0 | ¼" | ¼" | 280.0 | 104.3 | 18.0 |
| ¾" | 20 | 190.0 | 142.0 | 150.0 | 272.0 | 272.0 | ¼" | ¼" | 280.0 | 104.3 | 18.0 |
| 1" | 25 | 200.0 | 142.0 | 150.0 | 272.0 | 272.0 | ¼" | ¼" | 280.0 | 104.3 | 18.5 |
| 1½" | 40 | 260.0 | 182.0 | 195.0 | 335.0 | 360.0 | ⅜" | ¼" | 300.0 | 153.1 | 38.5 |
| 2" | 50 | 295.0 | 227.0 | 260.0 | 395.0 | 398.0 | ½" | ¼" | 330.0 | 250.8 | 56.0 |
| 3" | 80 | 415.0 | 315.0 | 360.0 | 530.0 | 540.0 | ¾" | ⅜" | 450.0 | 513.4 | 131.0 |
| 4" | 100 | 520.0 | 417.0 | 490.0 | 670.0 | 713.0 | ¾" | ½" | 560.0 | 929.7 | 290.0 |
| 6" | 150 | 740.0 | 644.0 | 750.0 | 1045.0 *1120.0 | 1055.0 | 1" | ¾" | 800.0 | 2239.1 | 728.5 |

*Dimension 'D' increases to that stated for 6"NB gearbox option.

| Item | Materials of Construction | |
|------------------------------|--|-----------------|
| | Carbon Steel | Stainless Steel |
| Valve Body, Chambers, Covers | ASME SA216 WCB | ASME SA351 CF8M |
| Change-over Handle (≤ 4"NB) | ASME SA216 WCB | ASME SA351 CF8M |
| Change-over Handle (6"NB) | Stainless Steel 316 (with plastic grip & dome nut) | |
| Drain / Vent plugs | ASME SA105N | ASME SA182 F316 |
| Studbolts | ASME SA193 B7M - Zinc Plated | |
| Full Nuts | ASME SA194 2HM - Zinc Plated | |
| Diverter Balls | Stainless Steel 316 | |
| Ball Seats | P.T.F.E. | |
| Internal Shafts | Stainless Steel 316 | |
| 'O'-Rings | Viton as standard – other materials available on request | |
| Baskets (Perforated) | Stainless Steel 316 (Ø3mm Perf. as Standard)* | |

* Baskets can be lined with various meshes to suit customer requirements.

Model Number Derivation: -

The model number can be derived as follows: - **A***/PN16/***/FLD**

Denotes the size i.e. add '025' for a 1" _____

'216' denotes Carbon Steel
 '351' denotes Stainless Steel

All data is subject to confirmation at the time of order. Our policy is one of continuous improvement and we reserve the right to amend details without prior notice.

For more information, visit our Web Site: www.bartonfirtop.co.uk