



Manufacturer: -
BARTON FIRTOP ENGINEERING COMPANY LIMITED
 Silverwoods Way,
 Kidderminster, Worcestershire. DY11 7DT,
 UNITED KINGDOM
 Telephone: (44) 01527 831644
 Fax: (44) 01527 832638
 E-mail: sales@bartonfirtop.co.uk

Data Sheet Number:
SDD/FIR/R150/STL
 Revision: 11

R/F – 150LB RATING DUPLEX 'FIRPLEX' STRAINER

Sizes: ½" to 6" Nominal Bore

Pressure: Class 150LB

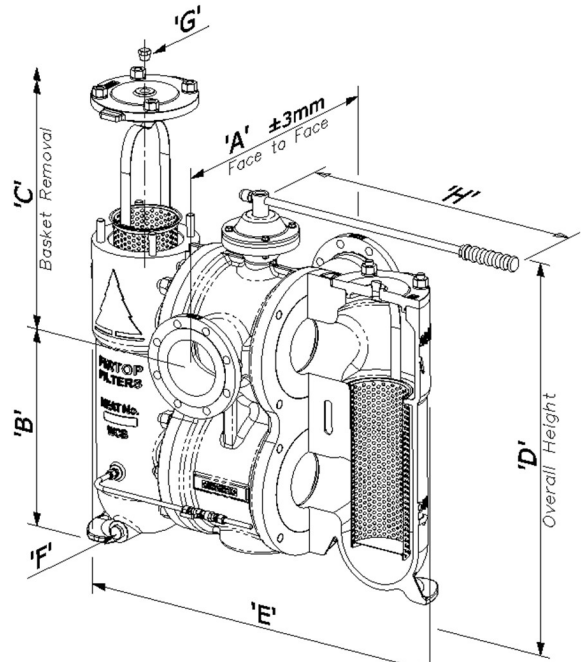
Features:

- Simple Change-over Operation.
- Linked Ball Valve Mechanism.
- Online Chamber Indicator.
- Red oxide Finish (Carbon Steel).
- 3mm Perf. Baskets as Standard.

Options:

- Special Baskets.
- D.P. Tappings/Gauge.
- Magnetic Basket Inserts.
- Flanged Drains / Vents.
- Special Finish.
- Other Materials / Ratings available.
- Gearbox & Handwheel (6"NB only).

Standards: PED 2014/68/EU (1½" to 6"NB only).
 ASME B16.5 Flange Dimensions.
 EN 10204 / NACE Certification.
 Generally i.a.w. ASME VIII, Div. 1



Note:

- 6"NB unit shown (feet & top flange on this size only).
- Equalisation valve on 3"NB unit & above.
- Cast handle on 4"NB unit & below.

Size		Dimensions (mm)								Basket Area (cm ²)	Weight (C/S - kg)
		'A' Face to Face	'B' Base to C/line	'C' Basket Removal	'D' Overall Height	'E' Overall Width	'F' Drain (NPT)	'G' Vent (NPT)	'H' Handle Width		
Inch	mm										
½"	15	190.0	142.0	150.0	272.0	272.0	¼"	¼"	280.0	104.3	17.5
¾"	20	190.0	142.0	150.0	272.0	272.0	¼"	¼"	280.0	104.3	18.0
1"	25	200.0	142.0	150.0	272.0	272.0	¼"	¼"	280.0	104.3	18.0
1½"	40	260.0	182.0	195.0	335.0	360.0	⅜"	¼"	300.0	153.1	38.0
2"	50	295.0	227.0	260.0	395.0	398.0	½"	¼"	330.0	250.8	56.0
3"	80	415.0	315.0	360.0	530.0	540.0	¾"	⅜"	450.0	513.4	132.0
4"	100	520.0	417.0	490.0	670.0	713.0	¾"	½"	560.0	929.7	292.0
6"	150	740.0	644.0	750.0	1045.0 *1120.0	1055.0	1"	¾"	800.0	2239.1	730.0

*Dimension 'D' increases to that stated for 6"NB gearbox option.

Materials of Construction		
Item	Carbon Steel	Stainless Steel
Valve Body, Chambers, Covers	ASME SA216 WCB	ASME SA351 CF8M
Change-over Handle (≤4"NB)	ASME SA216 WCB	ASME SA351 CF8M
Change-over Handle (6"NB)	Stainless Steel 316 (with plastic grip & dome nut)	
Drain / Vent plugs	ASME SA105N	ASME SA182 F316
Studbolts	ASME SA193 B7M - Zinc Plated	
Full Nuts	ASME SA194 2HM - Zinc Plated	
Diverter Balls	Stainless Steel 316	
Ball Seats	P.T.F.E.	
Internal Shafts	Stainless Steel 316	
'O'-Rings	Viton as standard – other materials available on request	
Baskets (Perforated)	Stainless Steel 316 (Ø3mm Perf. as Standard)*	

* Baskets can be lined with various meshes to suit customer requirements.

Model Number Derivation: -

The model number can be derived as follows: - **A***/R15/***/FLD**

Denotes the size i.e. add '025' for a 1" _____

'216' denotes Carbon Steel
 '351' denotes Stainless Steel

All data is subject to confirmation at the time of order. Our policy is one of continuous improvement and we reserve the right to amend details without prior notice.

For more information, visit our Web Site: www.bartonfirtop.co.uk