



Manufacturer: -  
**BARTON FIRTOP ENGINEERING COMPANY LIMITED**  
 Silverwoods Way.  
 Kidderminster. Worcestershire. DY11 7DT.  
 UNITED KINGDOM  
 Telephone: (44) 01527 831644  
 Fax: (44) 01527 832638  
 E-mail: sales@bartonfirtop.co.uk

Data Sheet Number:  
**SDD/YLD/PN16/STL**  
 Revision: **08**

## R/F - PN16 RATING LIGHT DUTY 'Y'-TYPE STRAINER

**Sizes:** 1" to 12" Nominal Bore

**Pressure:** PN16

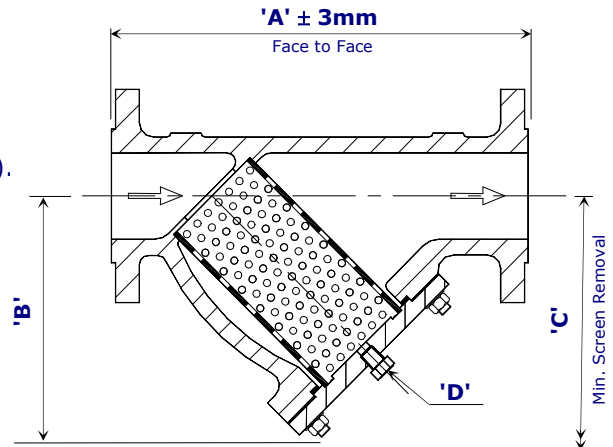
**Features:**

- Integrally Cast Housing.
- Bolted Cover c/w Drain Plug.
- Red oxide Finish as Standard (c/s).
- 3mm Perf. Screen as Standard.

**Options:**

- Special Gasket, Special Screen.
- D.P. Tappings/Gauge.
- Magnetic Screen Insert.
- Flanged Drains / Drain Valves.
- Special Finish / Linings.
- Alternative Bolting Materials.

**Standards:** PED 2014/68/EU.  
 BS EN 1092-1 Flange Specification.  
 EN 10204 / NACE Certification.  
 Generally i.a.w. ASME VIII, Div. 1



All data is subject to confirmation at the time of order.  
 Our policy is one of continual improvement and we reserve the right to amend details without prior notice.

Size		Dimensions				Screen Area (cm <sup>2</sup> )	Weight (KG)
		'A' Face to Face	'B' Base to Centre line	'C' Screen Removal	'D' Drain (NPT)		
1"	25	190.0	120.0	185.0	1/2"	126.5	6.3
1 1/2"	40	265.0	145.0	230.0	1/2"	199.0	13.0
2"	50	305.0	175.0	285.0	1/2"	333.0	18.0
3"	80	390.0	220.0	355.0	1/2"	574.5	34.5
4"	100	430.0	255.0	410.0	1/2"	923.4	45.0
6"	150	560.0	340.0	550.0	1/2"	1894.0	80.0
8"	200	650.0	440.0	705.0	3/4"	2870.0	180.0
10"	250	870.0	615.0	1000.0	3/4"	5000.0	290.0
12"	300	965.0	645.0	1040.0	3/4"	6375.0	385.0

Item	Materials of Construction	
	Carbon Steel	Stainless Steel
Strainer Body (Cast)	ASME SA216 WCB	ASME SA351 CF8M
Strainer Cover (Cast)	ASME SA216 WCB	ASME SA351 CF8M
Strainer Screen	St.St. 316 (3mm Perf. as Standard / to Customer Specification)	
Cover Flat Gasket (Standard)	Klingersil C-4400, Graphite or P.T.F.E as Standard / to Customer Specification	
Cover S/W Gasket (Optional)	St.St. 316 with Graphite or P.T.F.E as Standard / to Customer Specification	
Cover Studbolts	ASME SA193 B7M - Zinc Plated as Standard (alternatives available)	
Cover Heavy Hex Nuts	ASME SA194 2HM - Zinc Plated as Standard (alternatives available)	
Cover Plain Washers	Carbon Steel - Zinc Plated	
Cover Eyebolts	ASME SA105N	St. St. 316
Drain Plug (Forged)	ASME SA105N	ASME SA182 F316

**Model Number Derivation: -**

The model number can be derived as follows: - **A\*\*\* / PN16 / \*\*\* / \*\*\***

Denotes the size i.e. add '025' for a 1" \_\_\_\_\_

'YMD' for sizes 1/2" to 3" incl.  
 'YLD' for sizes 4" to 12" incl.

'216' denotes Carbon Steel  
 '351' denotes Stainless Steel

For more information, visit our Web Site: [www.bartonfirtop.co.uk](http://www.bartonfirtop.co.uk)