



Manufacturer: -  
**BARTON FIRTOP ENGINEERING COMPANY LIMITED**  
 Silverwoods Way.  
 Kidderminster. Worcestershire. DY11 7DT.  
 UNITED KINGDOM  
 Telephone: (44) 01527 831644  
 Fax: (44) 01527 832638  
 E-mail: sales@bartonfirtop.co.uk

Data Sheet Number:  
**SDD/YLD/R150/DSS**  
 Revision: **03**

## R/F - 150LB RATING LIGHT DUTY DUPLEX STAINLESS STEEL 'Y'-TYPE STRAINER

**Sizes:** ½" to 12" Nominal Bore

**Pressure:** ASME Class 150LB

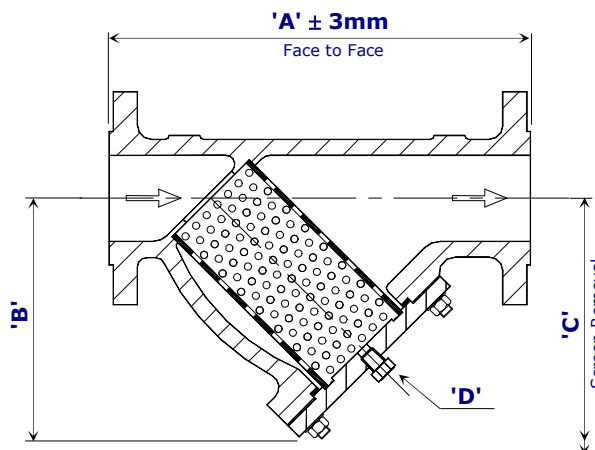
**Features:**

- Integrally Cast Housing
- Bolted Cover c/w Drain Plug
- 3mm Perf. Screen as Standard

**Options:**

- Special Gasket, Special Screen
- D.P. Tappings/Gauge
- Magnetic Screen Insert
- Flanged Drains / Drain Valves
- Special Finish / Linings
- Norsok accreditation available

**Standards:** PED 2014/68/EU  
 ASME B16.5 Flange Dimensions  
 EN 10204 / NACE Certification  
 Generally i.a.w. ASME VIII, Div. 1



All data is subject to confirmation at the time of order.  
 Our policy is one of continual improvement and we reserve the right to amend details without prior notice.

Size		Dimensions				Screen Area (cm <sup>2</sup> )	Weight (KG)
		'A' Face to Face	'B' Base to Centre line	'C' Screen Removal	'D' Drain (NPT)		
½"	15	170.0	95.0	165.0	½"	80.0	3.0
¾"	20	170.0	95.0	165.0	½"	80.0	4.0
1"	25	185.0	110.0	185.0	½"	126.5	6.0
1½"	40	270.0	140.0	230.0	½"	199.0	10.5
2"	50	275.0	180.0	285.0	½"	333.0	17.0
2½"	65	360.0	220.0	355.0	½"	574.5	27.5
3"	80	360.0	220.0	355.0	½"	574.5	29.5
4"	100	435.0	260.0	410.0	½"	923.4	49.0
6"	150	560.0	340.0	552.0	½"	1894.0	97.0
8"	200	655.0	440.0	705.0	¾"	2870.0	180.0
10"	250	880.0	600.0	1000.0	¾"	5000.0	340.0
12"	300	970.0	640.0	1040.0	¾"	6375.0	510.0

Materials of Construction	
Item	Duplex Stainless Steel
Strainer Body (Cast)	ASME SA995 Gr.4A
Strainer Cover (Cast)	ASME SA995 Gr.4A
Drain Plug (Cast)	ASME SA995 Gr.4A
Cover Studbolts	ASME SA193 B8 Cl.2
Cover Full Nuts	ASME SA194 Gr.8
Cover Gasket (Flat)	C.N.A.F. as Standard / to Customer Specification
Screen (Perforated)	St.St. 316 (3mm Perf. as Standard / to Customer Specification)

**Model Number Derivation: -**

The model number can be derived as follows: - **A\*\*\*/R15/G4A/YLD**

Denotes the size i.e. add '025' for a 1"

For more information, visit our Web Site: [www.bartonfirtop.co.uk](http://www.bartonfirtop.co.uk)