

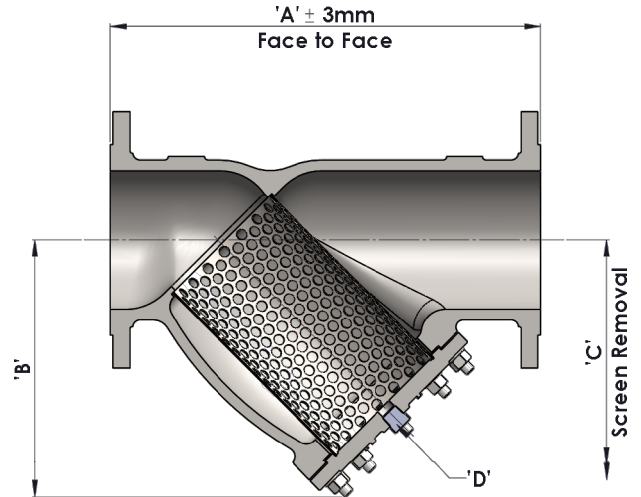


Manufacturer: -
BARTON FIRTOP ENGINEERING COMPANY LIMITED
 Stoke Heath Works, Hanbury Road.
 Bromsgrove. Worcestershire. B60 4LT.
 ENGLAND
 Telephone: (44) 01527 831644
 Fax: (44) 01527 832638
 E-mail: sales@bartonfirtop.co.uk

Data Sheet Number:
SDD/YMD/R600/LTCS
 Revision: **08**

R/F - 600LB RATING MEDIUM DUTY 'Y'-TYPE STRAINER

- Sizes:** ½" to 12" Nominal Bore
- Pressure:** ASME Class 600
- Features:**
- Integrally Cast Housing
 - Bolted Cover c/w Drain Plug
 - Red Oxide Finish as Standard (C/S)
 - 3mm Perf. Screen as Standard
- Options:**
- Special Gasket, Special Screen
 - D.P. Tappings / Gauge
 - Magnetic Screen Insert
 - Flanged Drains / Drain Valves
 - Special Finish / Linings
 - Alternative Bolting Materials



- Standards:** PED 2014/68/EU
 ASME B16.5 Flange Specification
 EN 10204 / NACE Certification
 Generally i.a.w. ASME VIII, Div. 1

All data is subject to confirmation at the time of order.
 Our policy is one of continual improvement and we reserve the right to amend details without prior notice.

Size		Dimensions (mm)				Screen Area (cm ²)	Weight (kg)
		'A' Face to Face	'B' Base to Centre line	'C' Min. Screen Removal	'D' Drain (NPT)		
Inch	mm						
½"	15	215.0	110.0	170.0	½"	80.0	3.0
¾"	20	215.0	110.0	170.0	½"	80.0	4.5
1"	25	225.0	125.0	185.0	½"	126.5	9.0
1½"	40	295.0	155.0	230.0	½"	199.0	16.0
2"	50	340.0	190.0	295.0	½"	333.0	23.0
3"	80	430.0	235.0	370.0	½"	574.5	45.0
4"	100	520.0	285.0	425.0	½"	923.5	88.0
6"	150	650.0	380.0	575.0	¾"	1894.0	178.0
8"	200	790.0	470.0	725.0	¾"	2870.0	330.0
10"	250	990.0	640.0	1040.0	¾"	5000.0	590.0
12"	300	1100.0	705.0	1090.0	¾"	6375.0	910.0

Materials of Construction		
Item	Low Temp. Carbon Steel	Stainless Steel
Strainer Body (Cast)	ASME SA352 LCB/LCC Dual Cert	ASME SA351 CF8M
Strainer Cover (Cast)	ASME SA352 LCB/LCC Dual Cert	ASME SA351 CF8M
Strainer Screen (Perforated)	St.St. 316 (3mm Perf. as standard / to Customer Specification)	
Cover Gasket (Spiral Wound)	St.St. 316 with Graphite as Standard / to Customer Specification	
Cover Studbolts	ASME SA320 L7M - Zinc Plated	ASME SA193 B7M - Zinc Plated
Cover Heavy Hex Nuts	ASME SA194 7M - Zinc Plated	ASME SA194 2HM - Zinc Plated
Cover Plain Washers	Carbon Steel - Zinc Plated as Standard	
Cover Eyebolts	ASME SA105N	St. St. 316
Drain Plug (Forged)	ASME SA350 LF2	ASME SA182 F316

Model Number Derivation: -

The model number can be derived as follows: - **A***/R60/***/YMD**

Denotes the size i.e. add '025' for a 1" _____

'352' denotes LTCS
 '351' denotes Stainless Steel

For more information, visit our Web Site: www.bartonfirtop.co.uk