



Manufacturer: -
BARTON FIRTOP ENGINEERING COMPANY LIMITED
 Silverwoods Way,
 Kidderminster. Worcestershire. DY11 7DT.
 UNITED KINGDOM
 Telephone: (44) 01527 831644
 Fax: (44) 01527 832638
 E-mail: sales@bartonfirtop.co.uk

Data Sheet Number:
SDD/YMD/R600/WCB
 Revision: **10**

R/F - 600LB RATING MEDIUM DUTY 'Y'-TYPE STRAINER

Sizes: ½" to 12" Nominal Bore

Pressure: ASME Class 600

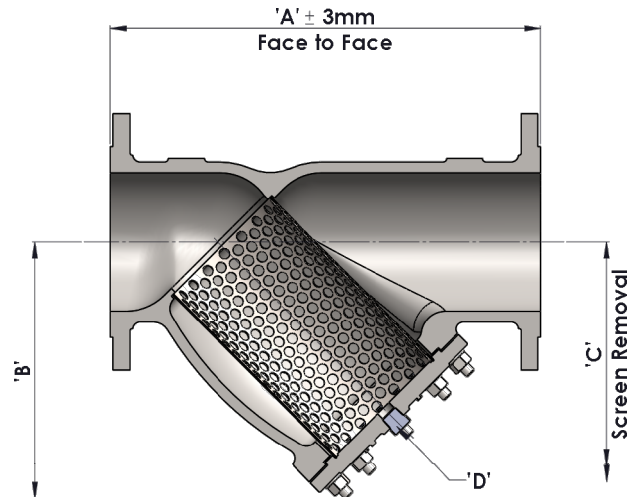
Features:

- Integrally Cast Housing.
- Bolted Cover c/w Drain Plug.
- Red Oxide Finish as Standard.
- 3mm Perf. Screen as Standard.

Options:

- Special Gasket, Special Screen.
- D.P. Tappings / Gauge.
- Magnetic Screen Insert.
- Flanged Drains / Drain Valves.
- Special Finish / Linings.
- Alternative Bolting Materials.

Standards: PED 2014/68/EU.
 ASME B16.5 Flange Specification.
 EN 10204 / NACE Certification.
 Generally i.a.w. ASME VIII, Div. 1



All data is subject to confirmation at the time of order.
 Our policy is one of continual improvement and we reserve the right to amend details without prior notice.

Size		Dimensions (mm)				Screen Area (cm ²)	Weight (KG)
		'A' Face to Face	'B' Base to Centre line	'C' Min. Screen Removal	'D' Drain (NPT)		
½"	15	215.0	110.0	170.0	½"	80.0	3.0
¾"	20	215.0	110.0	170.0	½"	80.0	4.5
1"	25	225.0	125.0	185.0	½"	126.5	9.0
1½"	40	295.0	155.0	230.0	½"	199.0	16.0
2"	50	340.0	190.0	295.0	½"	333.0	23.0
3"	80	430.0	235.0	370.0	½"	574.5	45.0
4"	100	520.0	285.0	425.0	½"	923.5	88.0
6"	150	650.0	380.0	575.0	¾"	1894.0	178.0
8"	200	790.0	470.0	725.0	¾"	2870.0	330.0
10"	250	990.0	640.0	1040.0	¾"	5000.0	590.0
12"	300	1100.0	705.0	1090.0	¾"	6375.0	910.0

Materials of Construction	
Item	Carbon Steel
Strainer Body (Cast)	ASME SA216 WCB
Strainer Cover (Cast)	ASME SA216 WCB
Strainer Screen (Perforated)	St.St. 316 (3mm Perf. as Standard / to Customer Specification)
Cover Gasket (Spiral Wound)	St.St. 316 with Graphite as Standard / to Customer Specification
Cover Studbolts	ASME SA193 B7M - Zinc Plated as Standard (alternatives available)
Cover Heavy Hex Nuts	ASME SA194 2HM - Zinc Plated as Standard (alternatives available)
Cover Plain Washers	Carbon Steel - Zinc Plated as Standard
Cover Eyebolts	ASME SA105N
Drain Plug (Forged)	ASME SA105N

Model Number Derivation: -

The model number can be derived as follows: - **A***/R60/***/YMD**

Denotes the size i.e. add **'025'** for a 1" _____ **'216'** denotes Carbon Steel

For more information, visit our Web Site: www.bartonfirtop.co.uk