



Manufacturer: -
BARTON FIRTOP ENGINEERING COMPANY LIMITED
 Silverwoods Way,
 Kidderminster, Worcestershire, DY11 7DT,
 UNITED KINGDOM
 Telephone: +44 (0)1527 831644
 Fax: +44 (0)1527 832638
 E-mail: sales@bartonfirtop.co.uk

Data Sheet Number:
SDD/YSF/1440/SS
 Revision: **07**

SCREWED NPT/BSPT - 1440 PSI - STAINLESS STEEL - 'Y'-TYPE STRAINER

Sizes: ½" to 2" NB

Pressure: 1440 psi Rating

Features:

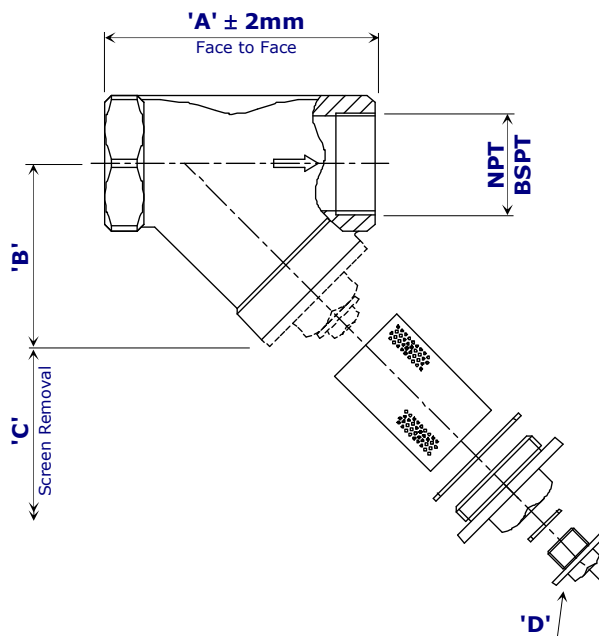
- Investment Cast Housing
- Screwed Cover c/w Drain Plug
- Ø3.0 Perf. Screen as Standard
- Full ASME B16.5 600LB rating

Options:

- Meshed Screen to Customer Spec.
- Special Gasket
- Special Screen
- Screwed NPT or BSPT

Standards:

- PED 2014/68/EU
- ASME B16.11 Screwed Dimensions
- EN 10204 / NACE Certification
- Generally i.a.w. ASME VIII, Div. 1



All data is subject to confirmation at the time of order. Our policy is one of continual improvement and we reserve the right to amend details without prior notice.

Size		Dimensions (mm)				Screen	Weight (kg)
		'A' Face to Face	'B' Base to Centre line	'C' Screen Removal	'D' Drain (BSPP)		
Inch	mm						
½"	15	66.0	50.0	70.0	¼" BSPP	0.30	
¾"	20	80.0	60.0	85.0	¼" BSPP	0.45	
1"	25	92.0	72.0	95.0	½" BSPP	0.90	
1¼"	32	120.0	87.0	130.0	½" BSPP	1.50	
1½"	40	120.0	87.0	130.0	½" BSPP	1.50	
2"	50	140.0	100.0	170.0	½" BSPP	2.20	

Materials of Construction	
Item	Stainless Steel
Strainer Body (Cast)	ASME SA351 CF8M
Strainer Cover (Cast)	ASME SA351 CF8M
Cover Gasket	P.T.F.E. as Standard
Drain Plug (Cast)	ASME SA351 CF8M
Drain Gasket	P.T.F.E. as Standard
Screen (Perforated)	St.St.316 (Ø3.0mm as Standard / to Customer Specification).

Model Number Derivation: -

The model number can be derived as follows: - **YSF/BFI/***/***/351**

Denotes the size e.g. add '025' for a 1" _____

'NPT' - Screwed NPT
'BSPT' - Screwed BSPT (End Connections)

For more information, visit our Web Site: www.bartonfirtop.co.uk